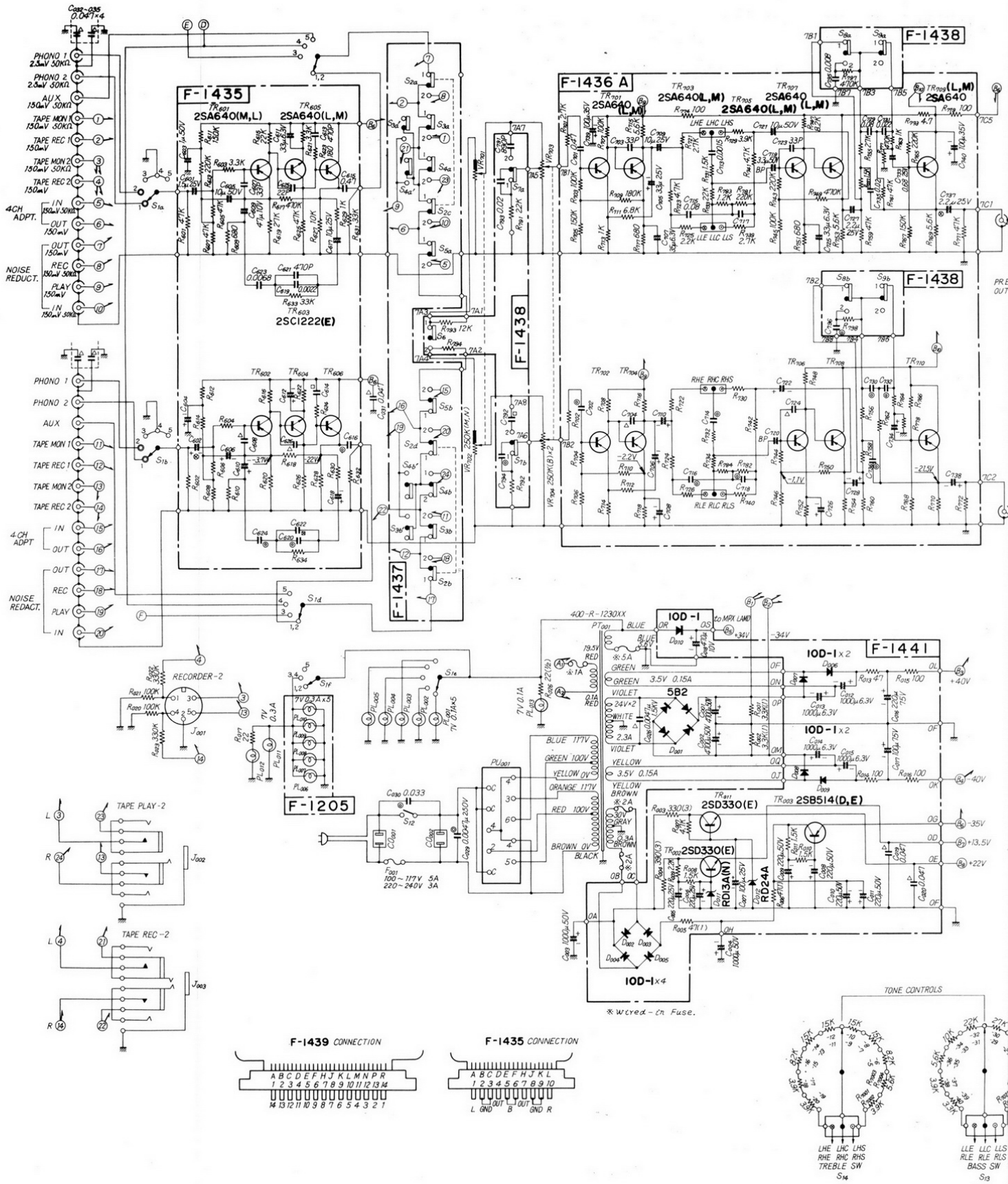
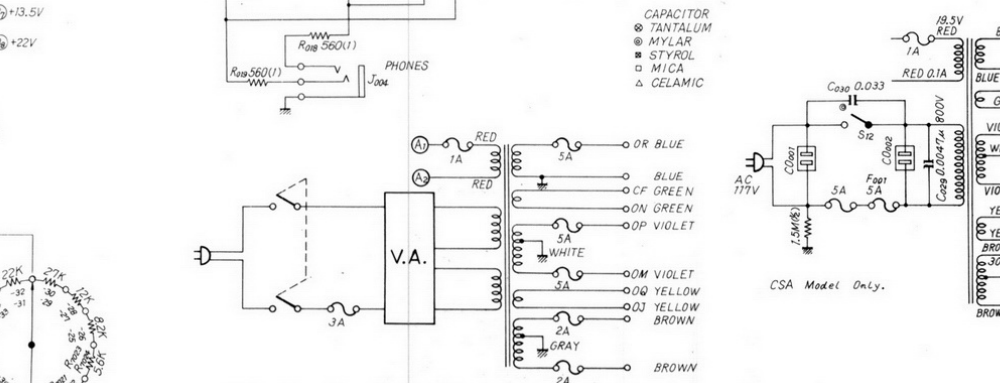
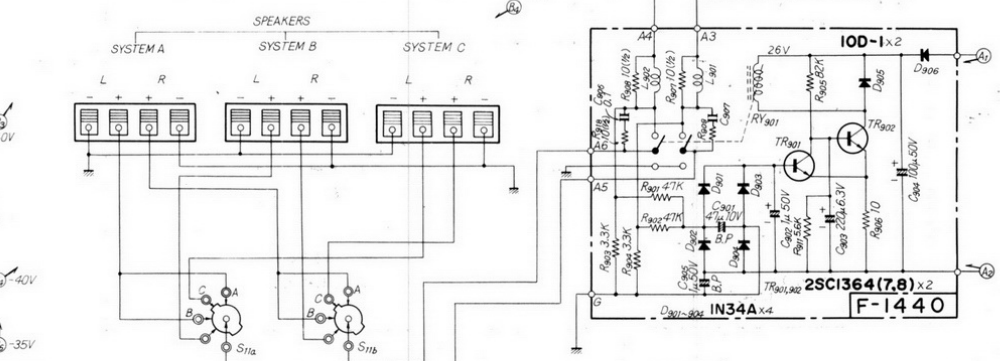
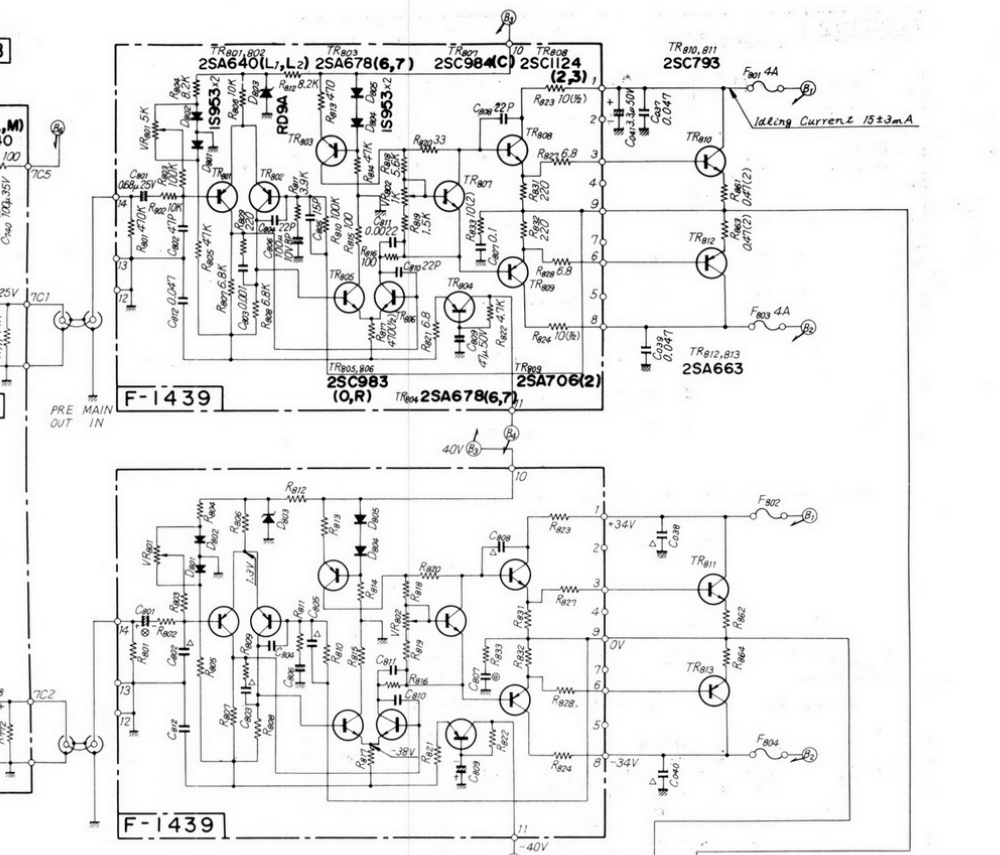
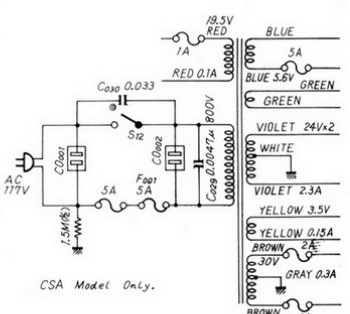


SCHEMATIC DIAGRAM OF AMPLIFIER SECTION



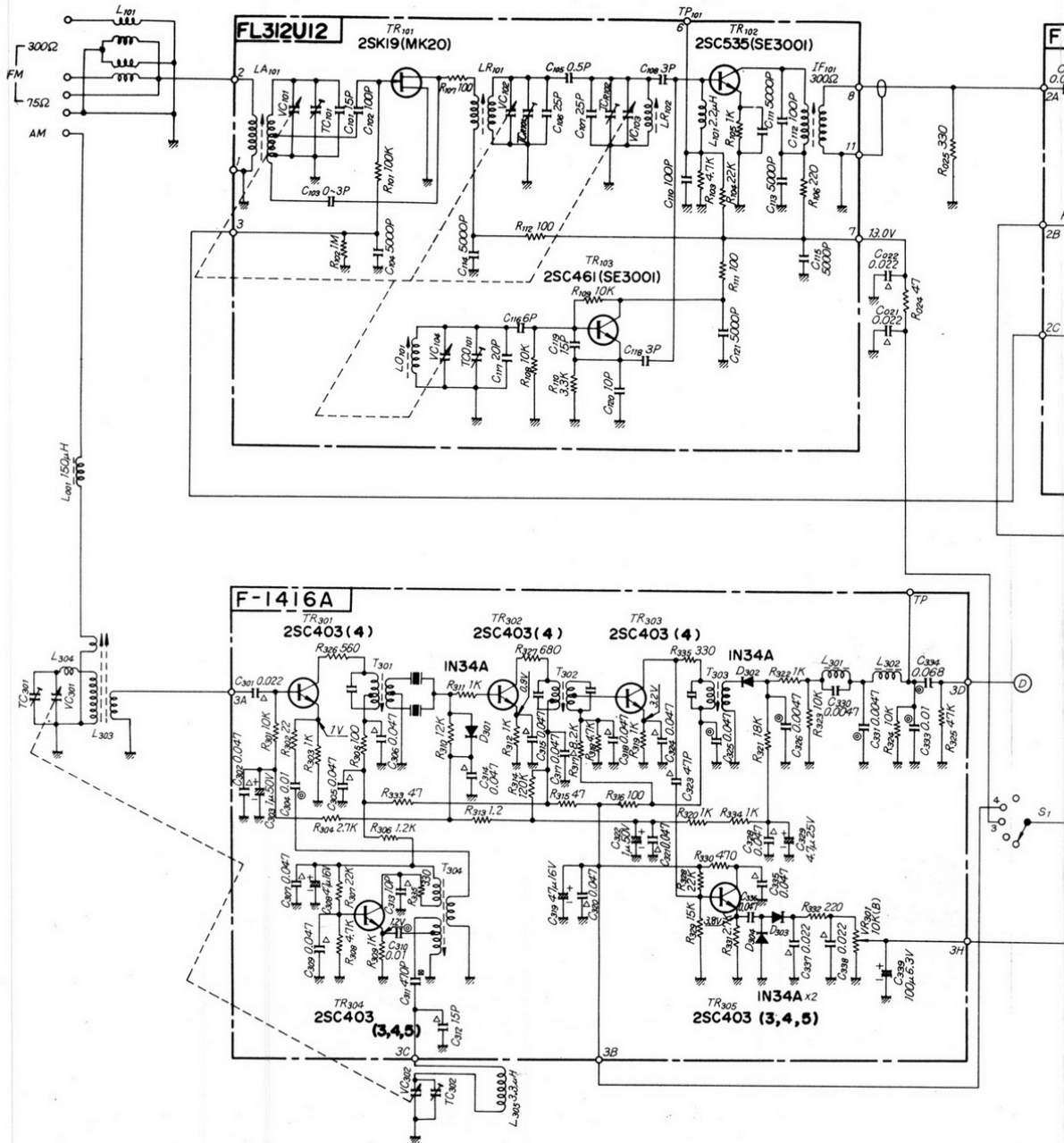


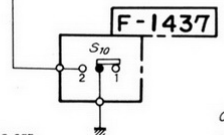
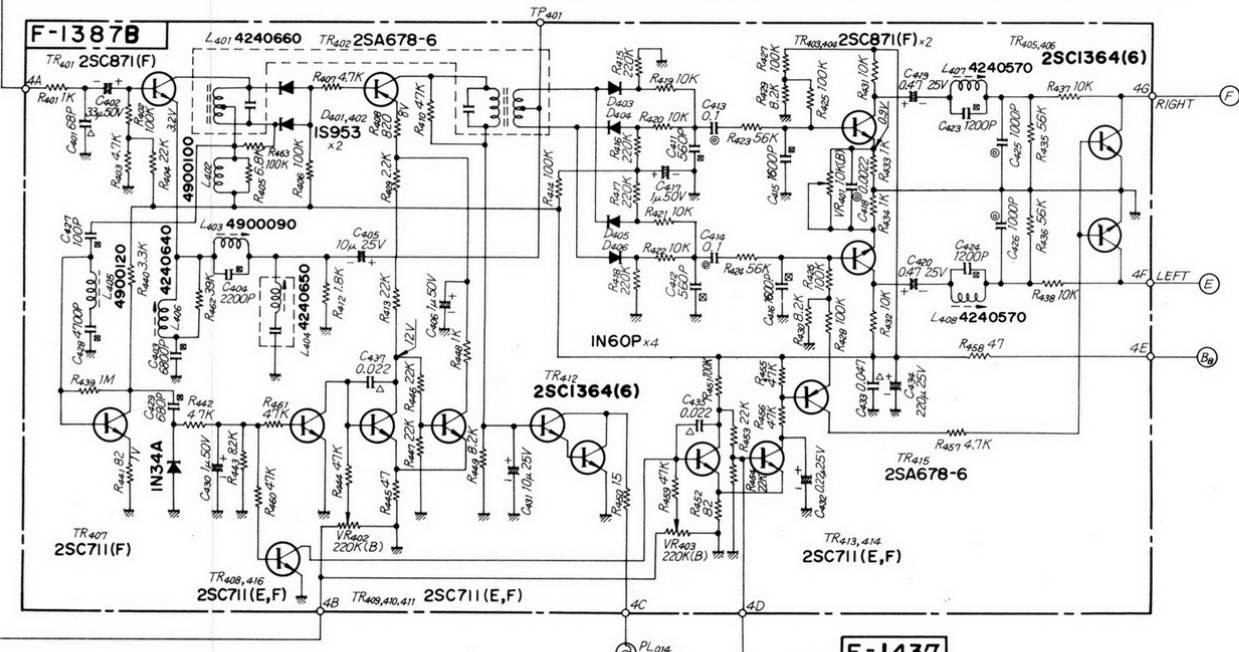
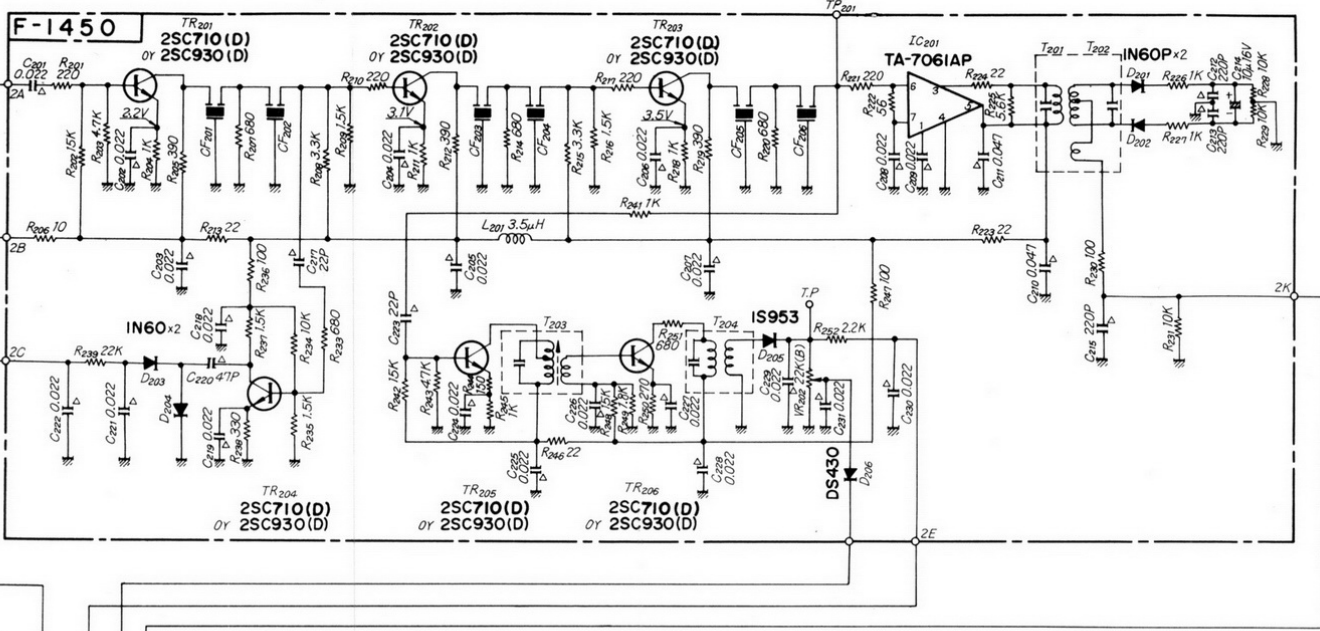
CAPACITOR
 ● TANTALUM
 ○ MYLAR
 ■ STYROL
 □ MICA
 △ CELAMIC



EU Type Connection of the AC Supply Circuit.

SCHEMATIC DIAGRAM OF TUNER SECTION





- S₁ (a-g) SELECTOR**
1. PHONO 2
 2. PHONO 1
 3. FM AUTO
 4. AM
 5. AUX

- S₂ (a-a) NOISE REDUCTION ADAPTOR**
1. OFF
 2. ON

- S₃ (a,b) S_{3'} (a,b) TAPE MONITOR 1**
1. OFF
 2. ON

- S₄ (a,b) S_{4'} (a,b) TAPE MONITOR 2**
1. OFF
 2. ON

- SWITCHES**
- S₅ (a,b) 4CH. ADAPTOR**
1. OFF
 2. ON

- S₆ MONO**
1. STEREO
 2. MONO

- S₇ (a,b) LOUDNESS**
1. OFF
 2. ON

- S₈ (a,b) LOW FILTER**
1. OFF
 2. ON

- S₉ (a,b) HIGH FILTER**
1. OFF
 2. ON

- S₁₀ FM MUTING OFF**
1. ON
 2. OFF

- S₁₁ (a,b) SPEAKERS**
1. OFF
 2. A
 3. B
 4. C
 5. A+B
 6. A+C

- S₁₂ POWER**

- S₁₃ BASS**

- S₁₄ TREBLE**

- CAPACITORS**
- △ CERAMIC
 - MYLAR
 - STYROL